

# 4X5MP AI Multi-directional Network Camera



IP66

Motorized Lens

DATASHEET



## KEY FEATURES

- ▶ NDA Compliance (The fully NDA-compliant products are well-suited for government, defense and a range of projects subject to the NDA.)
- ▶ Support Scooter Detection (Implementing high-precision Scooter detection based on deep learning algorithms, thereby enhancing road safety.)
- ▶ Every Angle with Flexible Positioning (Four lenses support independent angle adjustments, with each lens flexibly mountable to achieve the desired orientation.)
- ▶ Built-in 360° IR LED (It can support six embedded IR lights and up to 30 meters of IR distance offering exceptional image quality across diverse environments.)
- ▶ Integrated Interface Management (Combining the power interface, PoE port, and other interfaces in the base neatly.)
- ▶ Support 2TB Storage (Supporting ultra-large external microSD/SDHC/SDXC card storage up to 2\*1TB.)
- ▶ Convenient and Simplified Configuration (Equipped with a WiFi module, the camera can be quickly and easily set up through WiFi connection in scenarios where wiring is unsuitable.)

## Multi-directional View

Each sensor employs a motorized focus lens ranging from 3 to 9mm and features a 3-axis design along a circular track to achieve comprehensive 360° coverage. The AI Multi-directional Network Camera is equipped with six IR-cut filters and super WDR technology, furthermore, each lens supports corridor mode, allowing the camera to sustain optimal image quality across various conditions.



## 360° Flexible Rotation

The camera's main body can rotate for a +120° horizontal pivot. Twisting the lens body horizontally adds a +30° swivel. Vertically, the camera tilts from 15° to 105°. Additionally, the lens can be twisted for a +90° rotation, offering great flexibility in positioning and capturing the perfect angles.



## Comprehensive Integration

The AI Multi-directional Network Camera is not only equipped with edge AI analytics but also enables compatibility and unified management of four front-end cameras through Milesight VMS Enterprise, ensuring information integration and integrity. The Milesight VMS Enterprise system also supports managing the streams from four cameras with a single license, significantly reducing management costs and complexity.



## Excellent Structural Design

The camera's modular design makes installation quick and easy. The snap-fit mechanism allows components to click into place effortlessly, and short-circuit protection ensures safety, these can lead to major cost savings.



# 4x5MP AI Multi-directional Network Camera



	Model	MS-C5321-FPE (4x5MP)
<b>Camera</b>	Image Sensor	4x1/2.8" Progressive Scan CMOS
	Min. Illumination	Color: 0.005Lux@F1.6 B/W: 0Lux with IR on
	WDR	120dB Super WDR
	Shutter Time	1/100000s~1s
	Day/Night Mode	Day/Night/Auto/Customize/Schedule
	DORI Distance	D:64m ~ 150m/ O:23m ~ 59m R:9.5m ~ 28.5m/ I:3m ~ 14m
	IR Wave Length	850nm
	IR Distance	30m
	S/N	>55dB
<b>Lens</b>	Lens	Motorized 3mm~9mm @F1.6
	Mount	φ14
	Field of View	H92° ~ H40°/ D116° ~ D49°/ V67°~V30°
	Focus Control	Remote
	Aperture	F1.6-F2.7
	Iris Control	Fixed
	Camera Angle Adjustment	Pan ±120°, Tilt +15 to +105°, Rotation ±90°, Twist ±30°
<b>Video</b>	Max. Image Resolution	2592x1944 (5MP) x4
	Primary Stream	60Hz: 30fps@(2592x1944, 2592x1520, 2048x1536, 1920x1080, 1280x960, 1280x720) 50Hz: 25fps@(2592x1944, 2592x1520, 2048x1536, 1920x1080, 1280x960, 1280x720)
	Secondary Stream	60Hz: 30fps@(1280x720, 704x576, 640x480, 640x360, 352x288, 320x240) 50Hz: 25fps@(1280x720, 704x576, 640x480, 640x360, 352x288, 320x240)
	Bundle Stream	60Hz: 30fps@(1920x1080, 1280x960, 1280x720) 50Hz: 25fps@(1920x1080, 1280x960, 1280x720)
	Video Compression	H.265+/H.265(HEVC)/H.264+/H.264/MJPEG
	Video Bit Rate	16Kbps~16Mbps(CBR/VBR Adjustable)
	Privacy Masking	Up to 4x8 areas
	ROI	Up to 4x8 areas
	Image Setting	Brightness/Contrast/Saturation/Sharpness
	Web Access	Support Chrome/Microsoft Edge/Safari/Firefox/Browser

# 4x5MP AI Multi-directional Network Camera

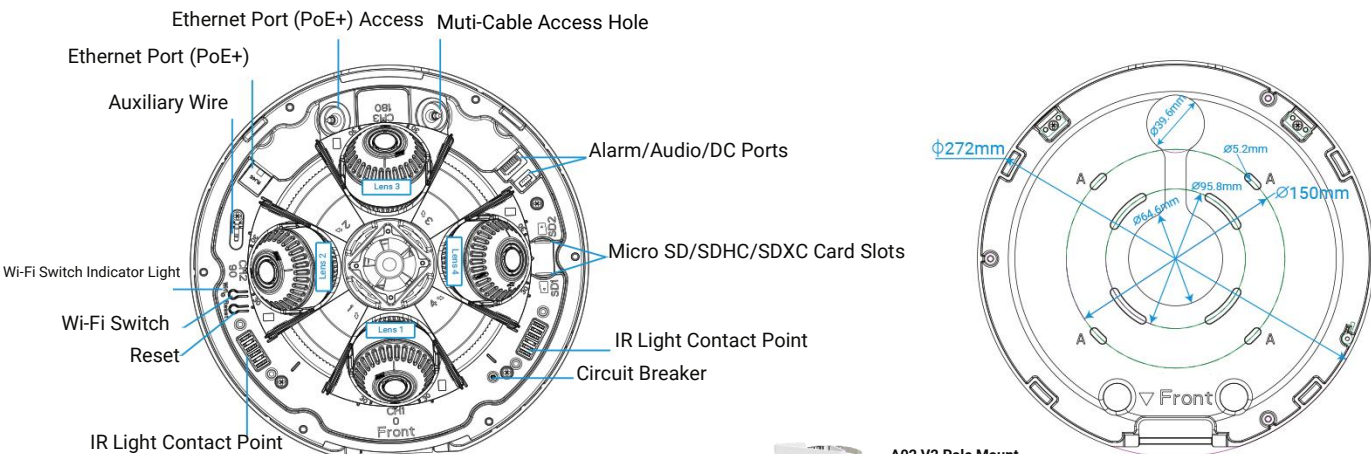
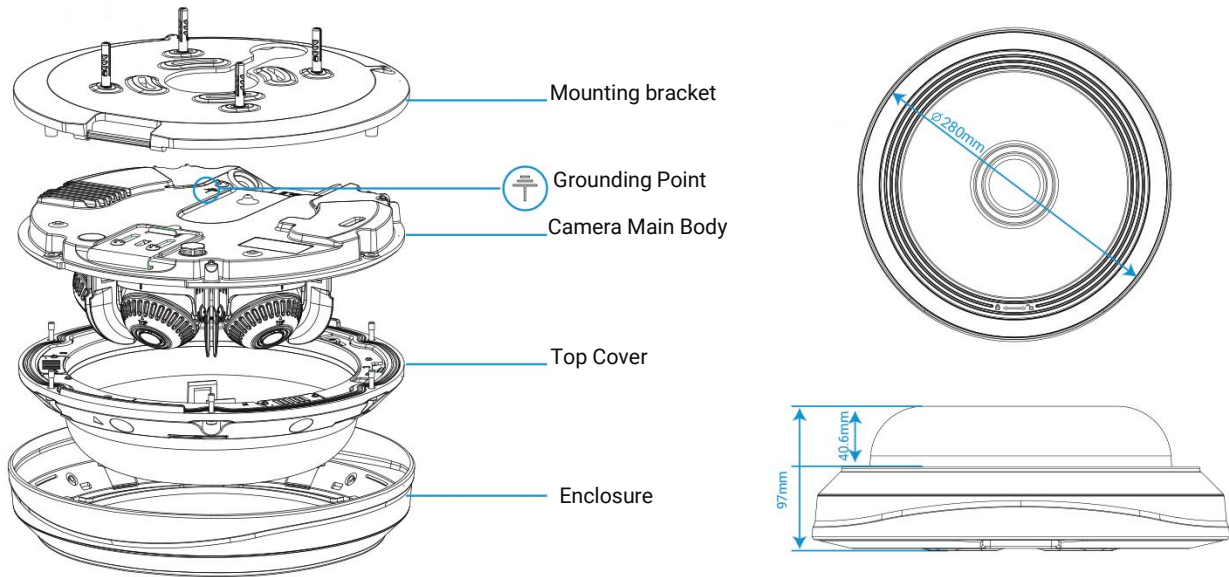


<b>Interface</b>	Ethernet	1*RJ45 10M/100M/1000M Ethernet Port
	Alarm I/O	1/1
	Audio I/O	1/1
<b>Network</b>	Network Storage	NAS(Support NFS, SMB/CIFS)
	Protocol	IPv4/IPv6, ARP, TCP, UDP, RTCP, RTP, RTSP, RTMP, HTTP, HTTPS, DNS, DDNS, DHCP, FTP, NTP, SMTP, SNMP, UPnP, Bonjour, SIP, PPPoE, VLAN, 802.1x, QoS, IGMP, ICMP, SSL, TLS 1.2
<b>Wireless Network</b>	WLAN	802.11n/802.11g(For Installation and Commissioning)
<b>Audio</b>	Audio Compression	G.711/AAC/G.722/G.726
	Audio Sampling Rate	8/16/32/44.1/48KHz
	Audio Bit Rate	16~256kbps
<b>Intelligent Analytics</b>	Video Analysis	Intrusion Detection, Region Entrance, Region Exiting, Advanced Motion Detection, Tamper Detection, Line Crossing, Loitering, Object Left, Object Removed
	Target Classification	Human, Motor Vehicle(Car, Motorcycle, Bus, Truck), Non-motor Vehicle (Scooter)
	Alarm Event	Network Disconnected; IP Address Conflict; Record Failed; No SD Card; SD Card Full; SD Card Error; SD Card Uninitialized
<b>System</b>	Storage	Supports 2 microSD/SDHC/SDXC cards for local storage, each with a maximum capacity of 1TB
	Advanced Function	BLC, HLC, 2D DNR, 3D DNR, AWB, IP Address Filtering, AGC, Anti-flicker, Deblur, Watermark
	SIP/VoIP Support	Support
	Event Trigger	Motion Detection, Network Disconnection, Audio Alarm, External Output, etc.
	Event Action	FTP Upload, SMTP Upload, SD Card Record, SIP Phone, HTTP Notification, etc.
	System Compatibility	ONVIF Profile G & S & T & M, API
<b>General</b>	Working Temperature	-40°C~60°C
	Working Humidity	0~95%(Non-condensing)
	Power Supply	PoE(802.3at)/ DC 12V±20%
	Power Consumption	DC Max. power consumption: 20W POE Max. power consumption: 23W
	Surge Protection	4KV
	Weather Proof	Up to IP66-rated for Weather-resistant Performance
	Housing	Vandal-proof IK10-rated Metal Housing
	Weight	3.1kg(Only camera), 3.8kg(With package)
	Dimensions	φ 280mmX97mm
	Warranty	3/5 Years

# 4x5MP AI Multi-directional Network Camera



## Structure Diagrams



## Accessories Support

